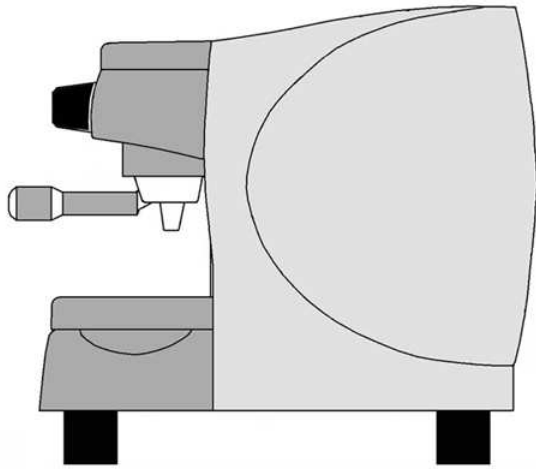
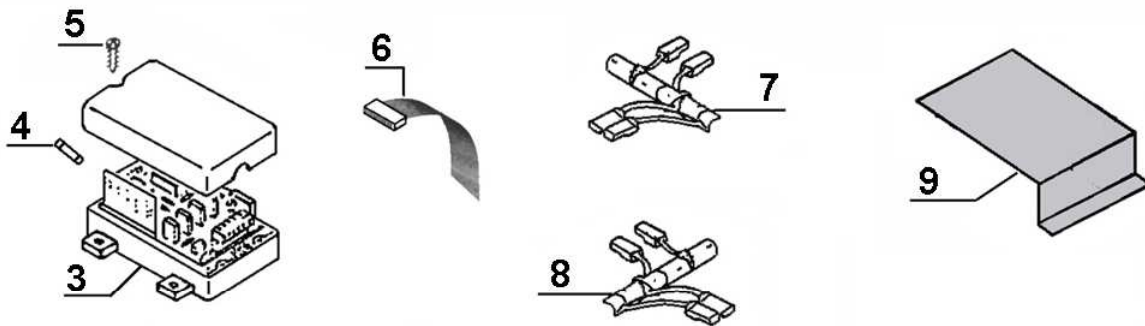
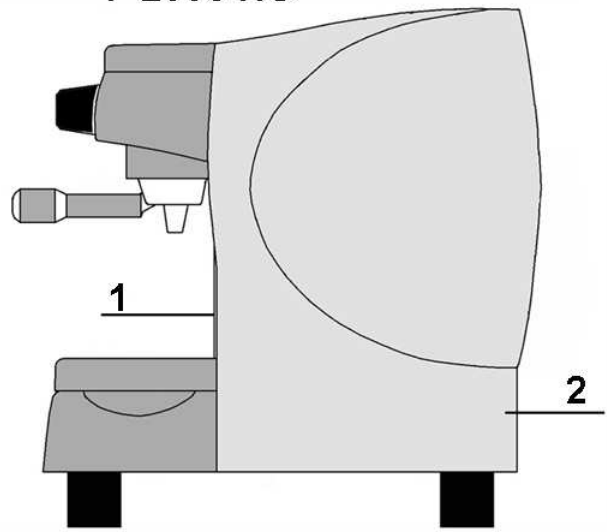



1	14 0338	F 2006/2	FACCIATA HG	PLAQUETTE	MASKE	MOULDING	REJA
	14 0339	F 2006/3	FACCIATA HG	PLAQUETTE	MASKE	MOULDING	REJA
2	030178	F 2006	FIANCHETTO DX BLU HG	FLANC DX	SEITENTEIL DX	PANEL DX	LATERAL DX
	030179	F 2006	FIANCHETTO SX BLU HG	FLANC SX	SEITENTEIL SX	PANEL SX	LATERAL SX
3	180218	F 2006	CENTRALINA VOLT 230	DOSEUR	DOSIERER	MIXER	DOSADOR
	180219	F 2006	CENTRALINA VOLT 115	DOSEUR	DOSIERER	MIXER	DOSADOR
4	180101	F 2006	FUSIBILE T3,15 A (V230)	FUSIBLE	SCHMELZSICHERUNG	FUSE	FUSIBLE
	180135	F 2006	FUSIBILE T6,3 A (V115)	FUSIBLE	SCHMELZSICHERUNG	FUSE	FUSIBLE
5	170400	F 2006	VITE TCB M 4 X 12	VIS	SCHRAUBE	SCREW	TORNILLO
6	180096	F 2006	CAVO COLLEG. 800mm 1°GR.	CABLE TAB. BOUT.	KABEL KONTROL.	CABLE BUTTON	CABLE BOTONERA
	180097	F 2006	CAVO COLLEG.1100mm 2°GR. e DISPLAY	CABLE TAB. BOUT.	KABEL KONTROL.	CABLE BUTTON	CABLE BOTONERA
	180098	F 2006	CAVO COLLEG.1400 mm 3°GR.	CABLE TAB. BOUT.	KABEL KONTROL.	CABLE BUTTON	CABLE BOTONERA
	180189	F 2006	CAVO COLLEG. 500mm GENERALE	CABLE TAB. BOUT.	KABEL KONTROL.	CABLE BUTTON	CABLE BOTONERA
	180224	F 2006	CAVO COLLEG. LIVELLO	CABLE TAB. BOUT.	KABEL KONTROL.	CABLE BUTTON	CABLE BOTONERA
7	180141	F 2006 / 2	IMPIANTO DI POTENZA	CABLE	KABEL	CABLE	CABLE
	180142	F 2006 / 3	IMPIANTO DI POTENZA	CABLE	KABEL	CABLE	CABLE
8	180144	F 2006 / 2	IMPIANTO SERVIZI	CABLE	KABEL	CABLE	CABLE
	180145	F 2006 / 3	IMPIANTO SERVIZI	CABLE	KABEL	CABLE	CABLE
9	140406	F2006	COP. SCATOLA ELETTR.	COUVRE	VERKLE	COVER	CUBRE
10	090021	F 2006	TARGHETTA ADESIVO EPS	PLAQUETTE	SCHILD	PLATE	TARJETA
11	180215	F 2006	ELETTR. VAP.V 230/240	ELECTROVANNE	ELEKTROVENTIL	ELECTROVALVE	ELECTROVALVULA
	180214	F 2006	ELETTR. VAP.V 120	ELECTROVANNE	ELEKTROVENTIL	ELECTROVALVE	ELECTROVALVULA
12	180212	F 2006	CABLAG. VAPORE TERMOST.	CABLE	KABEL	CABLE	CABLE
13	180211	F 2006	CABLAGGIO VAPORE TEMOST.	CABLE	KABEL	CABLE	CABLE
14	180208	F 2006	CENTR.CONTR. TEMP V230	DOSEUR	DOSIERER	MIXER	DOSADOR
	180209	F 2006	CENTR.CONTR. TEMP V115	DOSEUR	DOSIERER	MIXER	DOSADOR
15	030174	F 2006	LAT. SUP. SX PER ESP	FLANC DX	SEITENTEIL DX	PANEL DX	LATERAL DX
16	900079	F 2006	VALVOLA RITEGNO	SOUP.TE.VALVE	REUCKSCHLAGENTIL	CHECK VALVE	VALVULA RETEN.
17	040031	F 2006	TUBO CALDAIA – ELETTR.CAR	TUBE	ROHR	PIPE	TUBO
18	040140	F 2006	TUBO ELETTR.VAP TERMOST.	TUBE	ROHR	PIPE	TUBO
19	100145	F 2006	RACCORDO 1/8 – 1/8	RACCORD	ANSCHLUSS	JUNCTION	UNION
20	171104	F 2006	VITE TC 4 X 8 INOX	VIS	SCHRAUBE	SCREW	TORNILLO
21	100211	F 2006 HG	CANOTTO MONTALATTE	TUBE	ROHR	PIPE	TUBO
	100214	F 2006	CANOTTO MONTALATTE	TUBE	ROHR	PIPE	TUBO
22	190061	F 2006	GUARNIZIONE OR	JOINT	DICHTUNG	GASKET	PASTILLA
23	180230	F 2006	LANCIA EPS V230	TUBE EPS	EPSPFROHR	EPS PIPE	TUBO EPS
	180231	F 2006	LANCIA EPS V115	TUBE EPS	EPSPROHR	EPS PIPE	TUBO EPS
24	090020	F 2006	TARGHETTA CAPPUCCINAT.	PLAQUETTE	SCHILD	PLATE	TARJETA
25	900144	F 2006	CAPPUCCINATORE	CAPPUCINATEUR	SATZ FUR CAPP.	MILKER	CAPUCHINADOR
26	030175	F 2006	LAT. SUP. DX PER CAPP.	FLANC DX	SEITENTEIL DX	PANEL DX	LATERAL DX
27	040031	F 2006	TUBA CALDAIA – ELETTR.CAR.	TUBE	ROHR	PIPE	TUBO
28	010032	F 2006	RACCORDO ACQUA CALDA	RACCORD	ANSCHLUSS	JUNCTION	UNION
29	150116	F 2006	RONDELLA RAME	RONDELLE	SCHEIBE	WASHER	ARANDELA
30	100152	F 2006	RACC.CAPP. 3/8 GAS	RACCORD	ANSCHLUSS	JUNCTION	UNION
33	190009	F 2006	GUARNIZIONE OR	JOINT OR	OR DICHTUNG	OR GASKET	JUNTA OR
34	170602	F 2006	VITE TE M 6 X 16 INOX	VIS	SCHRAUBE	SCREW	TORNILLO
36	100030	F 2006	DADO BASSO 3/8	ECROU BAS	NIEDR MUTTER	LOW NUT	TUERCA BAJA
37	180015	F 2006	ELETTR. 2 VIE V230	ELECTROVANNE	ELEKTROVENTIL	ELECTROVALVE	ELECTROVALVULA
	180009	F 2006	ELETTR. 2 VIE V115	ELECTROVANNE	ELEKTROVENTIL	ELECTROVALVE	ELECTROVALVULA
38	180229	F 2006	CIRCUITO Elett. TASTO	INTERRUPTEUR	SCHALTER	SWITCH	INTERUPTOR
39	180220	F 2006	COPERCHIETTO TASTO	BOUCHON	VERSCHLUSS	COVER	TAPON
40	170209	F 2006	AUTOFILETTANTE 2,9 X 13	VIS	SCHRAUBE	SCREW	TORNILLO
41	100203	F 2006	RACCORDO 1 /4 - 3/8 F	RACCORD	ANSCHLUSS	JUNCTION	UNION
42	170205	F 2006	AUTOFILETTANTE 2,2 X 6,5	VIS	SCHRAUBE	SCREW	TORNILLO
A	900335	F 2006 HG	LANCIA EPS +SCHIUM.	EPS	KOM.EPS	COMPLETE EPS	EPS
	900336	F 2006	LANCIA EPS +SCHIUM.	EPS	KOM.EPS	COMPLETE EPS	EPS

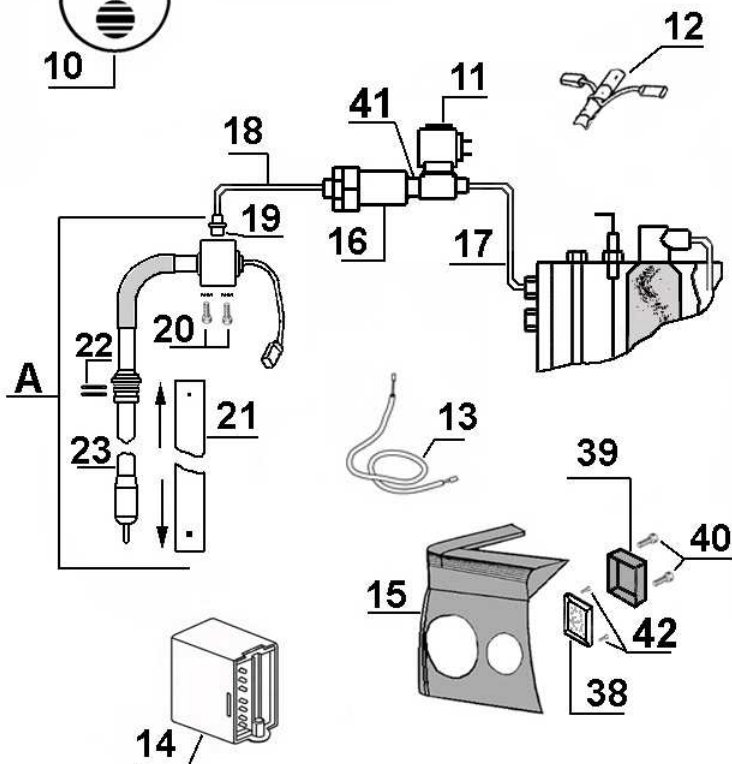
F 2006



F 2006 HG



 Optional 31



Optional 32 